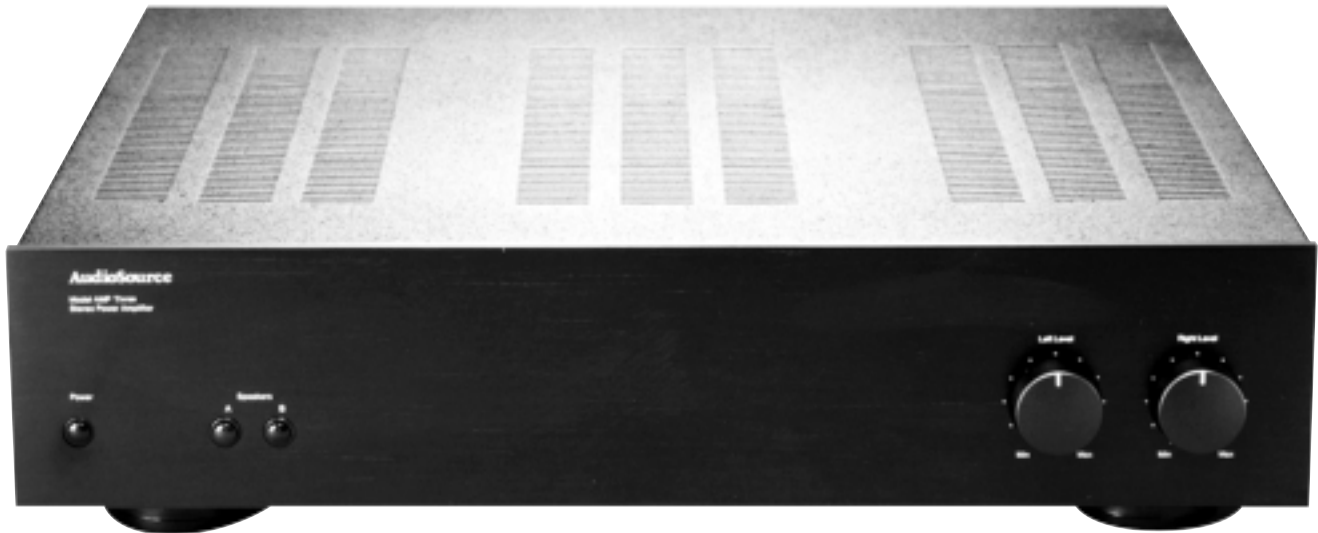


# AMP Three

## Stereo Power Amplifier with Internal Bridging



Congratulations on your new purchase and welcome to the AudioSource family of satisfied customers. We trust you will continue to enjoy the value and quality of your AudioSource AMP Three for many years to come. To ensure the best performance from your unit, please take a few moments to read this manual. Also, be sure to retain this document for future reference.

*Note: If any part of this product is damaged or missing, do not contact your AudioSource dealer. Please call us directly at 800-435-7115.*

## Using the Controls

### Power

This front panel button will manually switch the AMP Three on or off. A multicolored LED indicates its power status. To use the *Auto On* feature, leave this front panel switch in the *on* position.

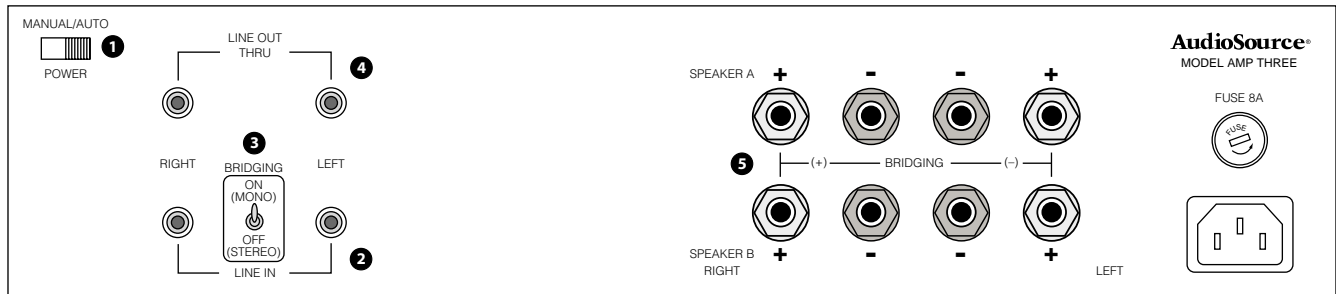
### Speaker Selector

The AMP Three has two pairs of speaker outputs. Press button *A* to activate the *A* outputs. Press button *B* to activate the *B* outputs. Both *A* and *B* outputs may be used simultaneously, provided the combined impedance does not fall below 2 ohms.

*Note: Before pressing either of the speaker selector buttons, be sure that the level controls are set at the minimum position.*

### Input Level Controls

These knobs adjust the incoming signal level and thereby act as volume controls. We recommend that these be set to *max* and your signal source (receiver, CD player, preamplifier, etc.) be used to adjust the volume.



## Using the Controls (*cont.*)

### Manual/Auto Power Switch (Rear Panel) ❶

In the *Auto* mode, the AMP Three will turn on automatically when an input signal is sensed. In the absence of an input signal, the AMP Three will shut down automatically. (In the *Auto* mode, the front panel power switch should always remain in the *on* position.) In the *Manual* mode, use the front panel *power* switch to activate the AMP Three.

## Hooking up the Wires

Audio signals travel out of one component and into another. All of your connections should also go from *out* to *in*.

### Line In ❷

If you are connecting a pre-amp to the AMP Three, connect the *line out* jacks from your signal source to the *line in* jacks on the AMP Three.

### Bridging Switch (*refer to wiring diagram*) ❸

In addition to providing 150 watts RMS per channel in the stereo mode, your AMP Three can be used as a high power mono amplifier, providing 400 watts RMS. This can be accomplished by toggling the *bridging* switch from the *stereo* position to the *mono* position. For mono applications, use only the *right* channel input. Similarly, use only the right channel input level control.

*Note: Be sure to observe the correct speaker connections for bridged applications. Because of the high power output in this mode, we recommend initially setting the right level control at "min", and then adjusting the volume to the desired level.*

### Line Out/Thru ❹

Connect the *line out* jacks from your signal source (receiver, CD player, preamplifier, etc.) to the *line in* jacks on the AMP Three.

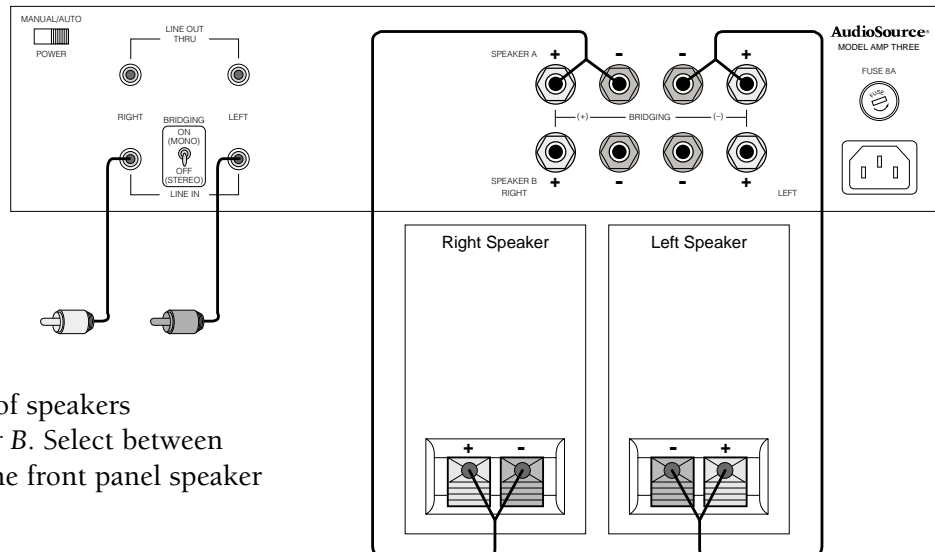
### Speaker Terminals ❺

More than one pair of speakers can be used with the AMP Three. We have provided two pairs of speaker outputs, labeled *Speaker A* (left & right), and *Speaker B* (left & right). The speaker terminals are color coded. Red posts indicate positive (+) terminals and black posts indicate negative (–) terminals. Be sure to connect the positive output terminals of your AMP Three to the positive input terminals of your speakers and the negative output terminals of your AMP Three to the negative input terminals of your speakers.

*Note: Refer to the wiring diagrams on the next page for proper connection of speaker cables.*

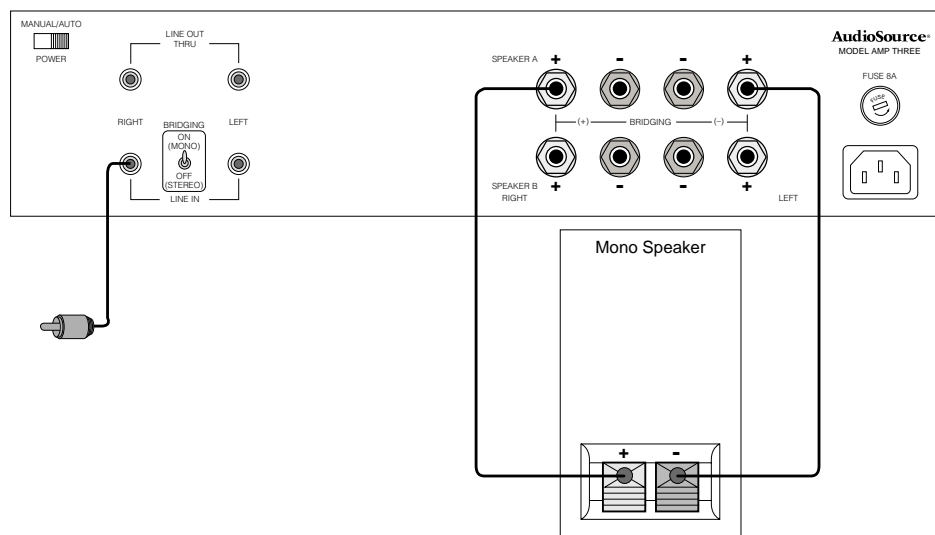
## Stereo Setup

In this configuration, the *bridging* switch is off for stereo operation. Connect the *line out* jacks from a stereo signal source to the *line in* jacks of your AMP Three. Next, connect your speakers to the terminals marked *Speaker A* (observing proper polarity: red for "+", and black for "-"). Connect a second pair of speakers to the terminals marked *Speaker B*. Select between the *A* and/or *B* speakers using the front panel speaker selector buttons.



## Mono Setup

In this configuration, the *bridging* switch is on. Connect the *line out* from a signal source to the *right line in* of your AMP Three. Connect your mono speaker to the terminals of your AMP Three, following the example in the diagram opposite. Use the *right level* control on the front panel to adjust the volume.



## AMP Three Specifications

Amplifier Power Output	.150 watts per channel 400 watts monobridged
Total Harmonic Distortion	<.04%
Intermodulation Distortion	<.04%
Frequency Response	.20 Hz to 20K Hz, $\pm$ 0.5 dB
Signal to Noise Ratio	.110 dB
Input Sensitivity	.0.8 V (Line)
Input Impedance	.30K $\Omega$ (Line)

Headroom	.2dB
Functions	Mono Bridging (Rear Panel) Auto/Manual Power Switch (Rear Panel)
Inputs	.Line (RCA) In
Outputs	.Speaker A (Left, Right), Speaker B (Left, Right), Line Out/Thru (RCA)
Dimensions	.16 1/2"W x 4"H x 13 1/4"D
Weight	.28lbs., 5oz.

*Design and specifications are subject to change without notice.*

**Enjoy your new purchase. This manual provides detailed diagrams and instructions for setting up your equipment. Our commitment to your satisfaction doesn't end there. We also offer friendly, toll-free assistance.**

# 1-800-HELP-115

**You may also fax us at 650-348-8083.**

# Safety Instructions



**Warning:** To reduce the risk of fire or electric shock, do not expose this appliance to rain or moisture.

**Caution:** To reduce the risk of electric shock, do not remove cover (or back); no user serviceable parts inside. Refer servicing to qualified service personnel.

**Caution:** To prevent electric shock, match wide blade of plug to wide slot, fully insert.

**Attention:** Pour éviter les chocs électriques, introduire la lame la plus large de la fiche dans la borne correspondante de la prise et pousser jusqu'au fond.

*The lightning flash with arrowhead symbol, within an equilateral triangle, is intended to alert the user to the presence of uninsulated dangerous voltage within the product's enclosure that may be of sufficient magnitude to constitute a risk of electrical shock to persons. The exclamation point within an equilateral triangle is intended to alert the user to the presence of important operating and maintenance (servicing) instructions in the literature accompanying the appliance.*

## Read Instructions

All the safety and operating instructions should be read before the appliance is operated.

## Retain Instructions

The safety and operating instructions should be adhered to.

## Heed Warnings

All warnings on the appliance and in the operating instructions should be adhered to.

## Follow Instructions

All operating and use instructions should be followed.

## Water and Moisture

The appliance should not be used near water. For example, near a bathtub, washbowl, kitchen sink, laundry tub, in a wet basement, or near a swimming pool, etc.

## Ventilation

The appliance should be situated so that its location or position does not interfere with its proper ventilation. For example, the appliance should not be situated on a bed, sofa, rug, or similar surface that may block the ventilation openings; or, placed in a built-in situation, such as a bookcase or cabinet that may impede the flow of air through the ventilation openings.

## Heat

The appliance should be situated away from heat sources such as radiators, heat registers, stoves, or other appliances (including amplifiers) that produce heat.

## Power Sources

The appliance should be connected to a power supply only of the type described in the operating instructions or as marked on the appliance.

## Grounding or Polarization

Precautions should be taken so that the grounding or polarization means of an appliance is not defeated.

## Power Cord Protection

Power supply cords should be routed so that they are not likely to be walked on or pinched by items placed on or against them, paying particular attention to cords at plugs, convenience receptacles, and the point where they exit from the appliance.

## Cleaning

The appliance should be cleaned only as recommended by the manufacturer.

## Power Lines

An outdoor antenna should be located away from power lines.

## Non-Use Periods

The power cord of the appliance should be unplugged from the outlet when left unused for a long period of time.

## Object and Liquid Entry

Care should be taken so that objects do not fall and liquids are not spilled into the enclosure through openings.

## Damage Requiring Service

The appliance should be serviced by qualified service personnel when: a) The power supply cord or the plug has been damaged; b) Objects have fallen, or liquid has been spilled into the appliance; c) The appliance has been exposed to rain; d) The appliance does not appear to operate normally or exhibits a marked change in performance; or e) The appliance has been dropped, or the enclosure damaged.

## Servicing

The user should not attempt to service the appliance beyond that described in the operating instructions. All other servicing should be referred to qualified service personnel.

## Product Servicing

In the event that your AMP Three fails to operate properly, please contact the dealer where you purchased the unit. Or you may contact AudioSource directly for further assistance.



1327 North Carolan Avenue

Burlingame, CA 94010

Tel. 650.348.8114

Fax 650.348.8083

information@audiosource.net

www.audiosource.net

Printed in Taiwan